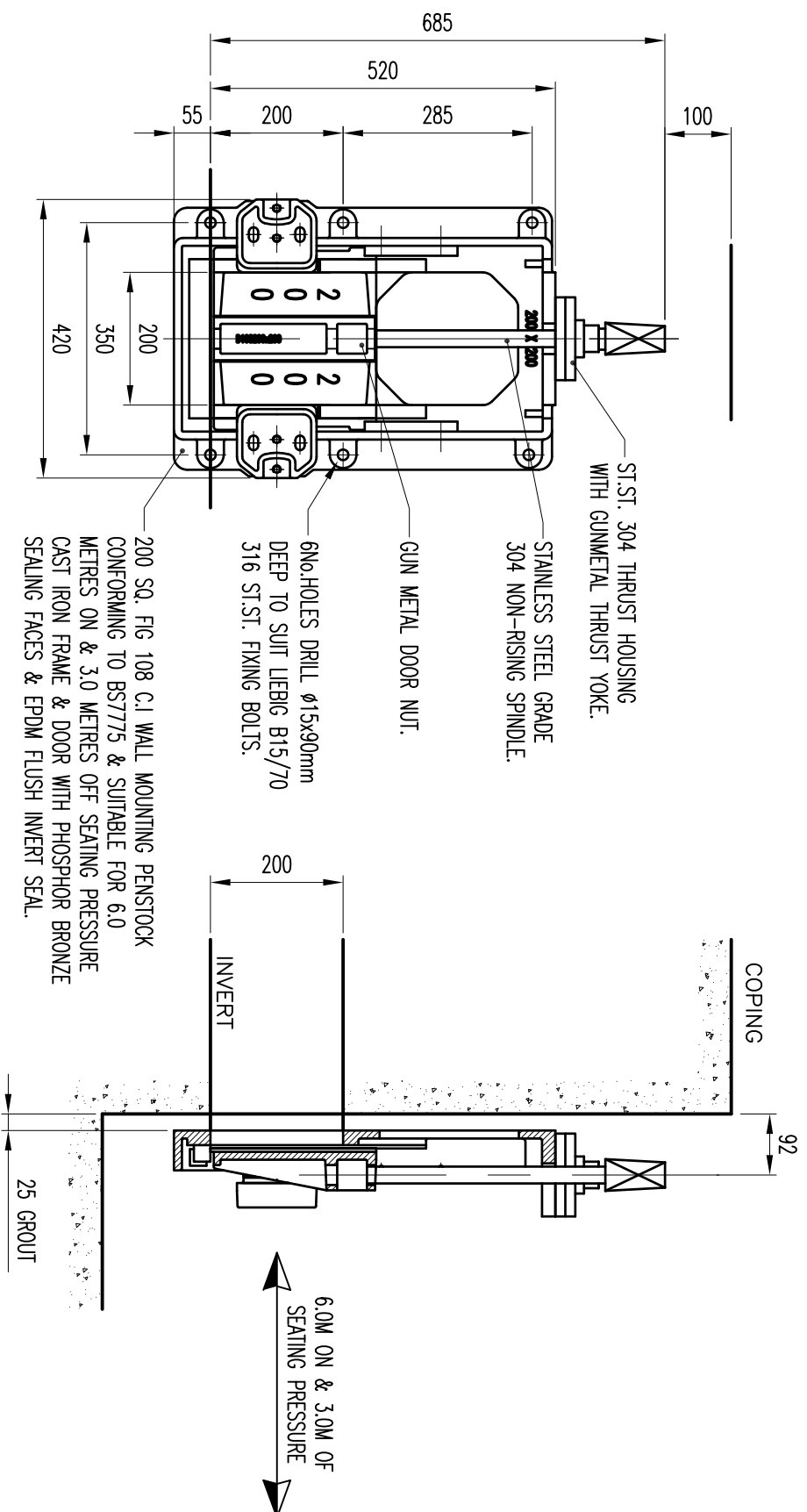


Copyright  
 This drawing is protected by copyright & must not be reproduced in any form, including manufacture of the product shown therein, without the prior written consent of the copyright owners.  
 INDUSTRIAL PENSTOCKS LTD

DO NOT SCALE – IF IN DOUBT ASK



GENERAL NOTES:

- TOLERANCES UNLESS STATED OTHERWISE:  
 LINEAR DIMENSIONS <1000mm= ±1.00mm  
 LINEAR DIMENSIONS >1000mm= ±1.00mm  
 ANGULAR DIMENSIONS= ±0.5°  
 CONCENTRICITY= 0.10mm  
 HOLE POSITION= 0.25mm  
 PERPENDICULARITY= 0.10mm  
 FLATNESS= 0.10mm
- REMOVE ALL BURRS & SHARP EDGES
- MACHINE SURFACES  $\nabla_{0.8}$  UNLESS NOTED OTHERWISE.

Rev	Date	Description	By

Title  
**GENERAL ARRANGEMENT 200x200 SQ. CAST IRON WALL MOUNTING PENSTOCK. TEE KEY OPERATED.**

Material  
**CAST IRON**

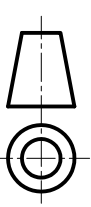
Client



**Industrial PENSTOCKS Ltd**  
 Penstocks Valves Fittings and Installation for fluid control  
 Unit 1&2 Washington Industrial Estate, Washington Street  
 Northerton, Dudley, DY2 9PH  
 Tel: 01384 48411 Fax: 01384 248950

Part/Drawing Number:  
**200-NR-CAP DIRECT**

Approved by	Checked by	Contract No
AS	MAR'06	
Drawn by	Date	
AS	MAR'06	
Scales $\odot$ A3	1:10	Computer File No



FIRST ANGLE PROJECTION