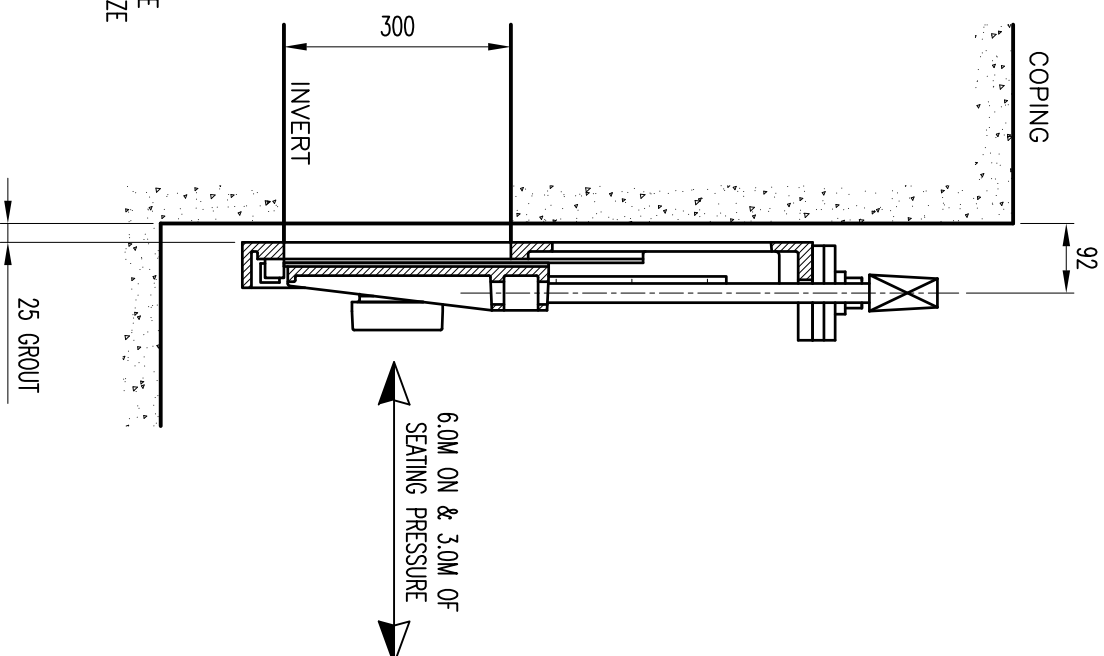
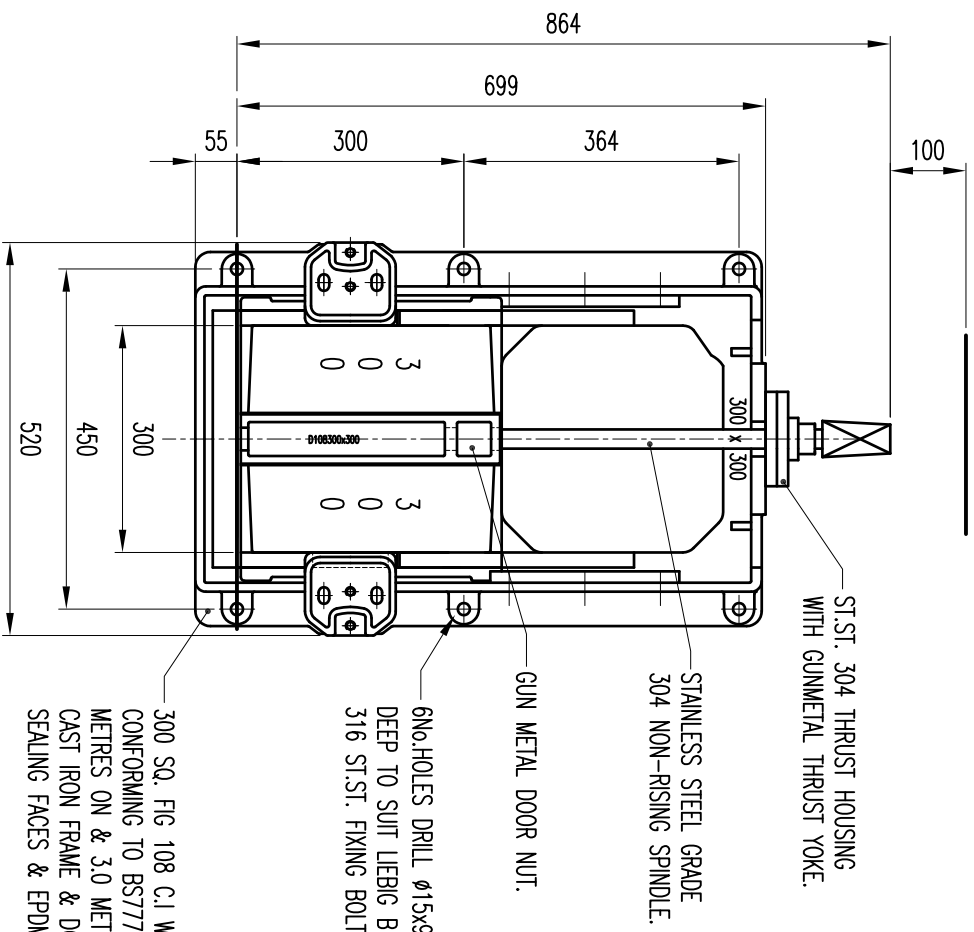


Copyright
 This drawing is protected by copyright & must not be reproduced in any form, including manufacture of the product shown therein, without the prior written consent of the copyright owners.
 INDUSTRIAL PENSTOCKS LTD

DO NOT SCALE – IF IN DOUBT ASK



GENERAL NOTES:

1. TOLERANCES UNLESS STATED OTHERWISE:
 LINEAR DIMENSIONS <1000mm= ±0.25mm
 LINEAR DIMENSIONS >1000mm= ±1.00mm
 ANGULAR DIMENSIONS= ±0.5°
 CONCENTRICITY= 0.10mm
 HOLE POSITION= 0.25mm
 PERPENDICULARITY= 0.10mm
 FLATNESS= 0.10mm
2. REMOVE ALL BURRS & SHARP EDGES
3. MACHINE SURFACES $\nabla_{0.8}$ UNLESS NOTED OTHERWISE.

Rev	Date	Description	By

Amendments

Title
GENERAL ARRANGEMENT 300 SQ. CAST IRON WALL MOUNTING PENSTOCK. TEE KEY OPERATED.

Material
CAST IRON

Client

Industrial PENSTOCKS Ltd
 Penstocks Valves Fittings and Installation for fluid control
 Unit 1&2 Washington Industrial Estate, Washington Street
 Northerton, Dudley, DY2 9PH
 Tel: 01384 484111 Fax: 01384 248990

Part/Drawing Number:
300-NR-CAP DIRECT

Approved by	Checked by	Contract No
Drawn by AS	Date MAR'06	
Scales A3	1:10	Computer File No

work to figured dimensions only

