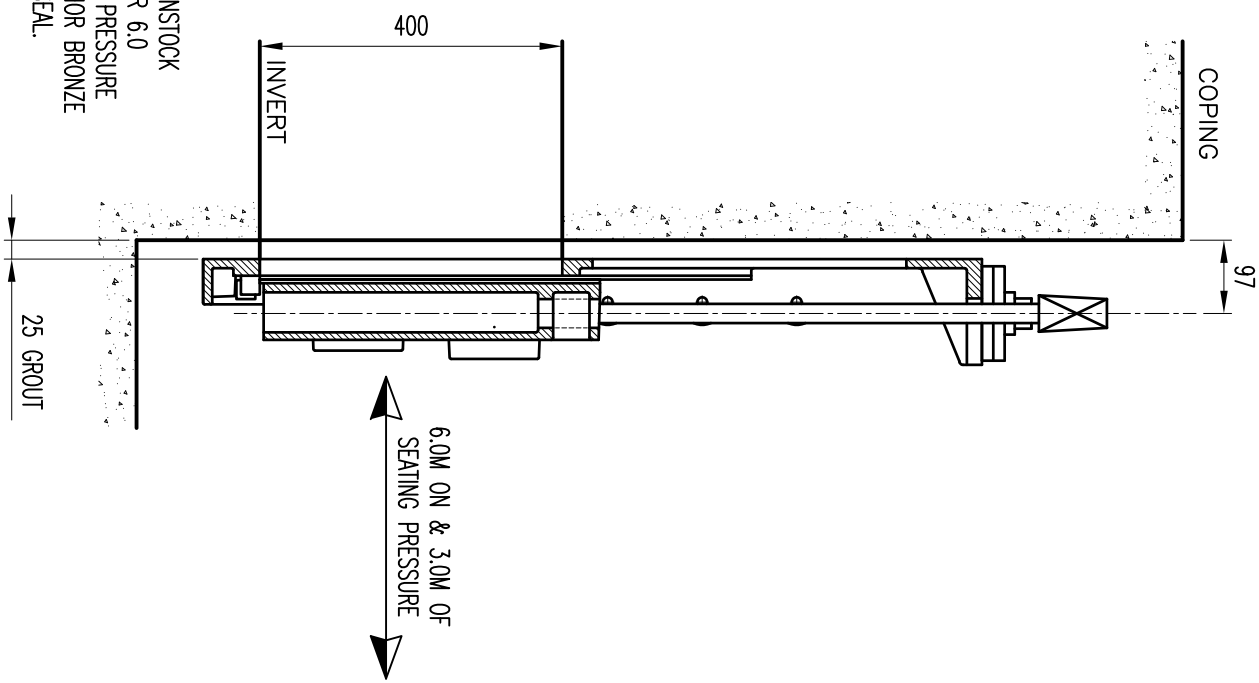
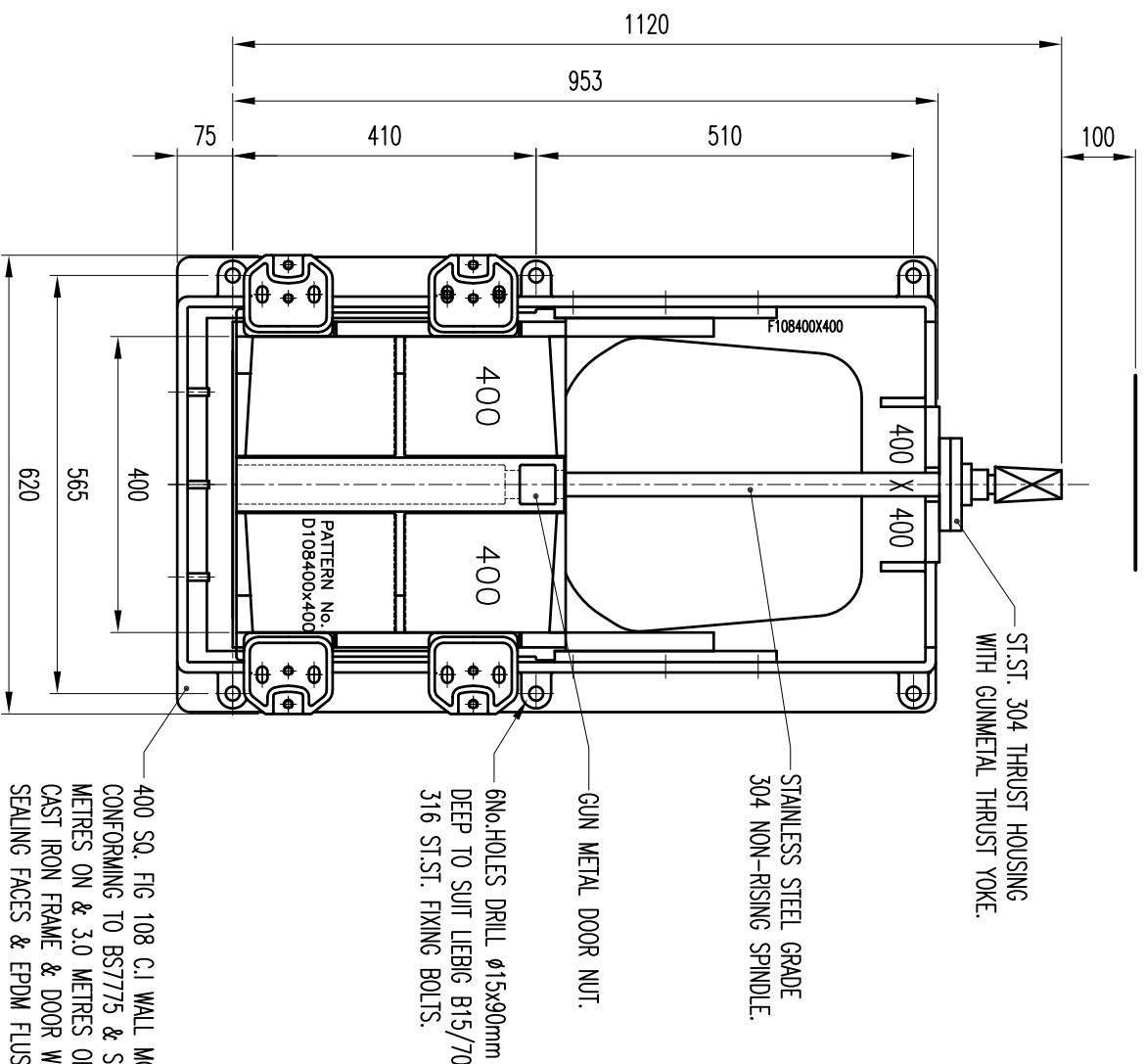


COPYRIGHT
 This drawing is protected by copyright & must not be reproduced in any form, including manufacture of the product shown therein, without the prior written consent of the copyright owners.
INDUSTRIAL PENSTOCKS LTD

DO NOT SCALE - IF IN DOUBT ASK



STAINLESS STEEL GRADE 304 NON-RISING SPINDLE.

GUN METAL DOOR NUT.

6 No. HOLES DRILL Ø15x90mm DEEP TO SUIT LIEBIG B15/70 316 ST. ST. FIXING BOLTS.

400 SQ. FIG 108 C.I. WALL MOUNTING PENSTOCK CONFORMING TO BS7775 & SUITABLE FOR 6.0 METRES ON & 3.0 METRES OFF SEATING PRESSURE CAST IRON FRAME & DOOR WITH PHOSPHOR BRONZE SEALING FACES & EPDM FLUSH INVERT SEAL.

GENERAL NOTES:

1. TOLERANCES UNLESS STATED OTHERWISE:
 LINEAR DIMENSIONS <1000mm= ±0.25mm
 LINEAR DIMENSIONS >1000mm= ±1.00mm
 ANGULAR DIMENSIONS= ±0.5°
 CONCENTRICITY= 0.10mm
 HOLE POSITION= 0.25mm
 PERPENDICITY= 0.10mm
 FLATNESS= 0.10mm
2. REMOVE ALL BURRS & SHARP EDGES
3. MACHINE SURFACES $\nabla_{0.8}$ UNLESS NOTED OTHERWISE.

Rev	Date	Description	By

Title
 GENERAL ARRANGEMENT 400 SQ. CAST IRON WALL MOUNTING PENSTOCK. TEE KEY OPERATED.

Material
 CAST IRON

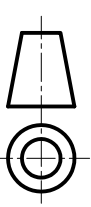
Client



Industrial PENSTOCKS Ltd
 Penstocks Valves Fittings and Installation for fluid control
 Unit 1&2 Washington Industrial Estate, Washington Street
 Northerton, Dudley, DY2 9PH
 Tel: 01924 484111 Fax: 01924 248890

Part/Drawing Number:
400-NR-CAP DIRECT

Approved by	Checked by	Contract No
Drawn by AS	Date MAR'06	
Scales \odot A3	1:10	Computer File No



FIRST ANGLE PROJECTION