

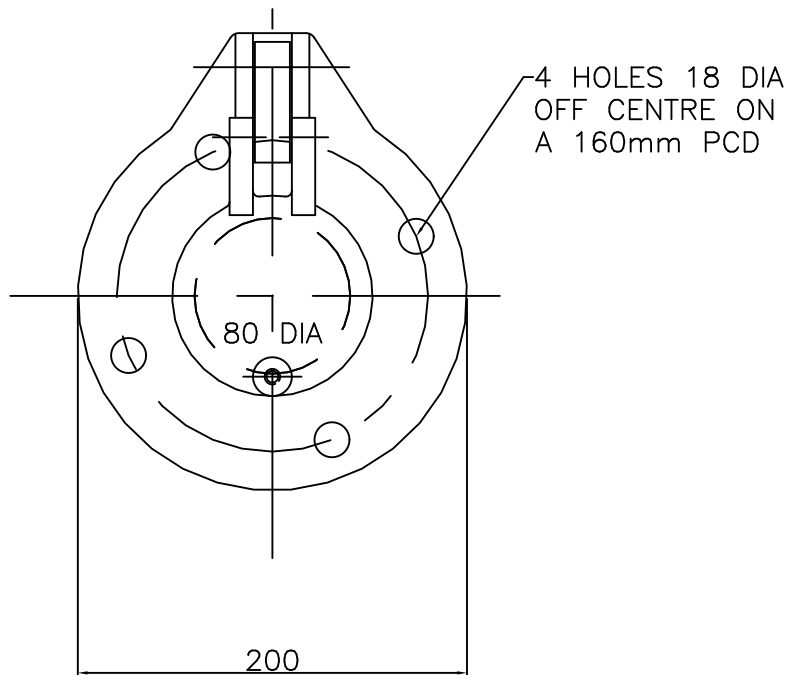
COPYRIGHT
 This drawing is protected by copyright and must not be reproduced in any form, including manufacture of the product shown therein, without the prior written consent of the copyright owners.
INDUSTRIAL PENSTOCKS LIMITED

DO NOT SCALE - IF IN DOUBT, ASK.

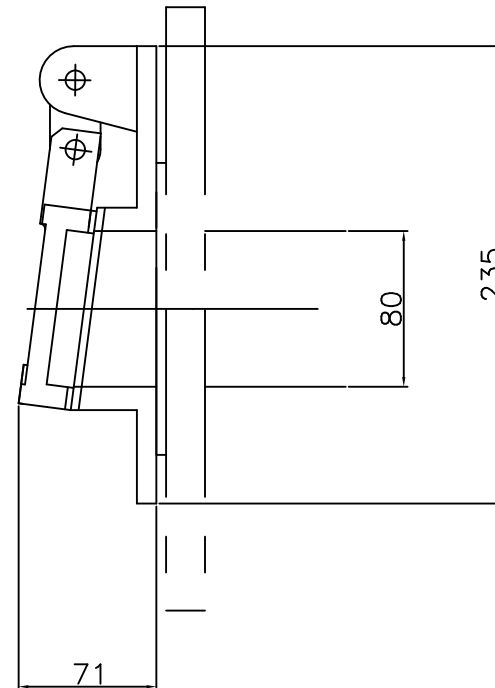
CUSTOMER : -
 SCHEME : -
 ITEM REFERENCE : -
 LOCATION :
 QUANTITY :

MATERIAL SPECIFICATION

FRAME + DOOR DUCTILE IRON
 SEALING FACES PHOSPHOR BRONZE
 HINGE PINS STAINLESS STEEL
 HINGE LINKS PHOSPHOR BRONZE
 COATING BLACK EPOXY 150 MICRONS NOMINAL



4 HOLES 18 DIA
 OFF CENTRE ON
 A 160mm PCD



REVISION				REVISION				REVISION			
No	WAS	DATE	SIGN	No	WAS	DATE	SIGN	No	WAS	DATE	SIGN
/	/	/	/	/	/	/	/	/	/	/	/
/	/	/	/	/	/	/	/	/	/	/	/
/	/	/	/	/	/	/	/	/	/	/	/
/	/	/	/	/	/	/	/	/	/	/	/

80 DIA BORE
 CAST IRON
 WALL / PIPE MOUNTED
 FLAP VALVE

DRAWN	INDUSTRIAL PENSTOCKS LTD.		
A.J.S.	PENSTOCKS AND VALVES FOR THE WATER INDUSTRY		
DATE	UNITS 1 AND 2, WASHINGTON INDUSTRIAL ESTATE, WASHINGTON STREET, NETHERTON, DUDLEY. DY2 9PH		
11-05-06	TEL : 01384 438 411 FAX : 01384 246 950		
SCALE	PART No.		
NTS	DRAWING NUMBER 080-GA		REV. 0
MATERIAL	FIRST USED ON ORDER REF. V012778		
AS QUOTED			