

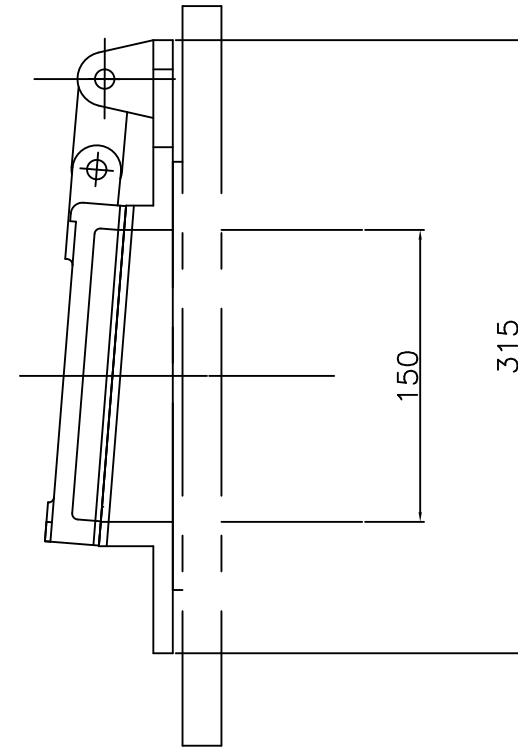
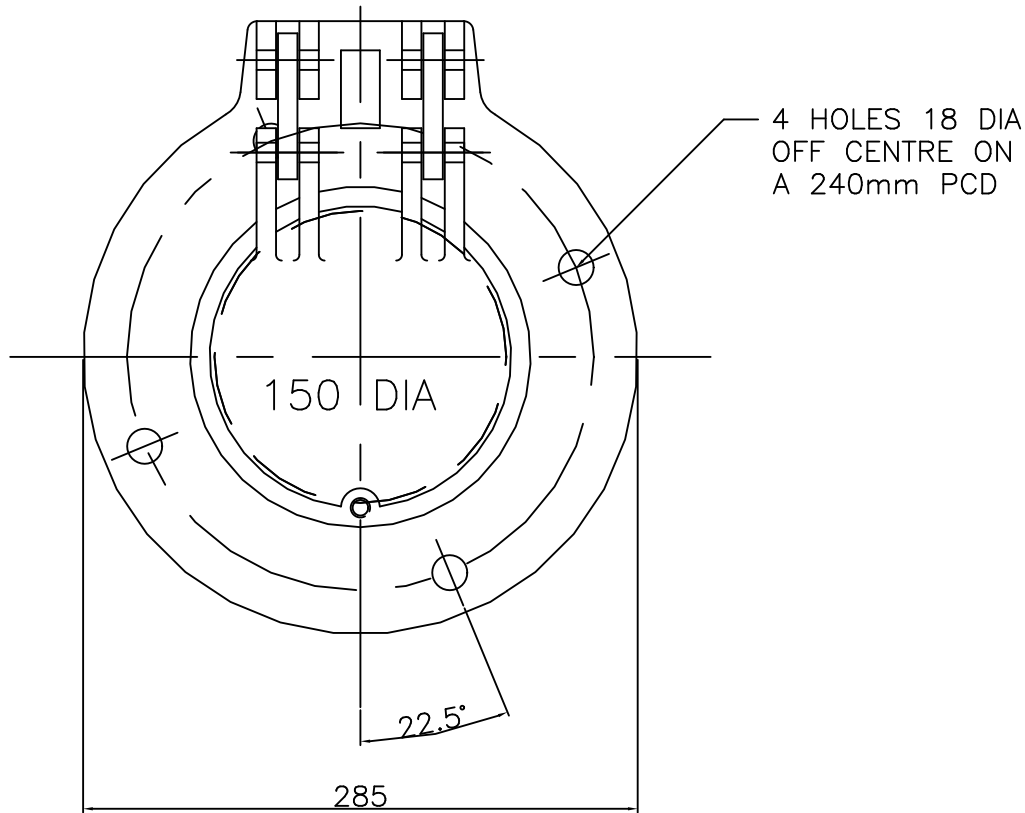
**COPYRIGHT**  
 This drawing is protected by copyright and must not be reproduced in any form, including manufacture of the product shown therein, without the prior written consent of the copyright owners.  
**INDUSTRIAL PENSTOCKS LIMITED**

DO NOT SCALE - IF IN DOUBT, ASK.

CUSTOMER : -  
 SCHEME : -  
 ITEM REFERENCE : -  
 LOCATION :  
 QUANTITY :

**MATERIAL SPECIFICATION**

FRAME + DOOR	DUCTILE IRON
SEALING FACES	PHOSPHOR BRONZE
HINGE PINS	STAINLESS STEEL
HINGE LINKS	PHOSPHOR BRONZE
COATING	BLACK EPOXY 150 MICRONS NOMINAL



REVISION				REVISION				REVISION			
No	WAS	DATE	SIGN	No	WAS	DATE	SIGN	No	WAS	DATE	SIGN
/	/	/	/	/	/	/	/	/	/	/	/
/	/	/	/	/	/	/	/	/	/	/	/
/	/	/	/	/	/	/	/	/	/	/	/
/	/	/	/	/	/	/	/	/	/	/	/

150 DIA BORE  
 CAST IRON  
 WALL / PIPE MOUNTED  
 FLAP VALVE

DRAWN	<b>INDUSTRIAL PENSTOCKS LTD.</b>	
A.J.S.	PENSTOCKS AND VALVES FOR THE WATER INDUSTRY	
DATE	UNITS 1 AND 2, WASHINGTON INDUSTRIAL ESTATE, WASHINGTON STREET, NETHERTON, DUDLEY. DY2 9PH	
11-05-06	TEL : 01384 438 411 FAX : 01384 246 950	
SCALE	PART No.	
NTS	DRAWING NUMBER	REV. 0
MATERIAL	150-GA	
AS QUOTED	FIRST USED ON ORDER REF.	V012778