

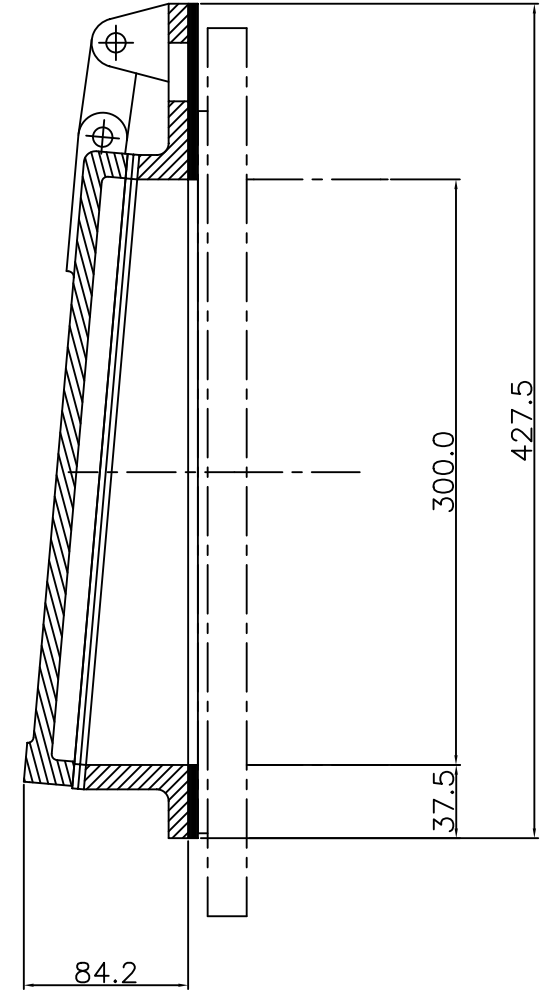
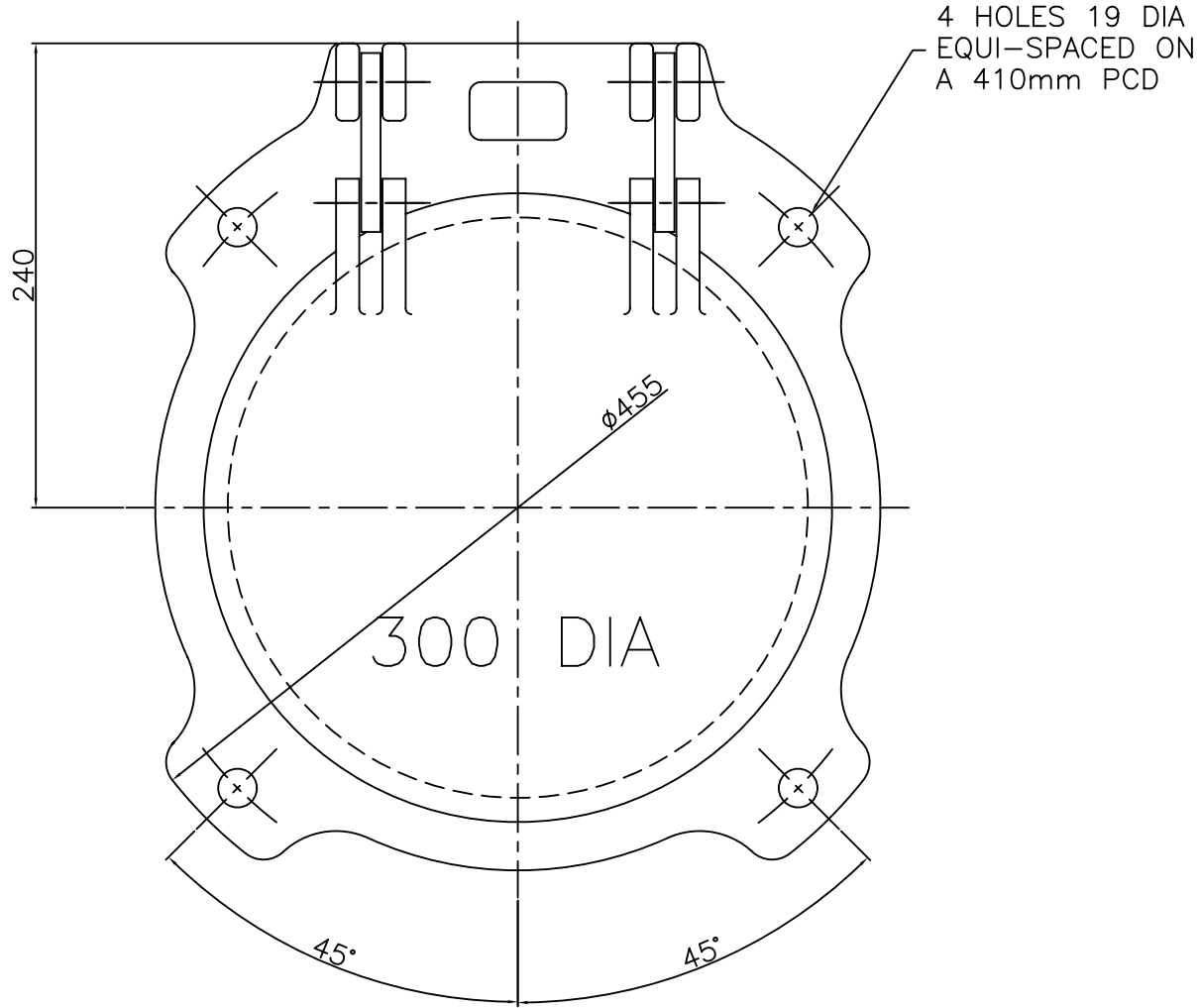
COPYRIGHT
 This drawing is protected by copyright and must not be reproduced in any form, including manufacture of the product shown therein, without the prior written consent of the copyright owners.
INDUSTRIAL PENSTOCKS LIMITED

MATERIAL SPECIFICATION

DO NOT SCALE – IF IN DOUBT, ASK.

CUSTOMER : –
 SCHEME : –
 ITEM REFERENCE : –
 LOCATION : TBA
 QUANTITY : 1

FRAME + DOOR DUCTILE IRON
 SEALING FACES PHOSPHOR BRONZE
 HINGE PINS STAINLESS STEEL
 HINGE LINKS PHOSPHOR BRONZE
 COATING BLACK EPOXY 150 MICRONS NOMINAL



REVISION				REVISION				REVISION			
No	WAS	DATE	SIGN	No	WAS	DATE	SIGN	No	WAS	DATE	SIGN
/	/	/	/	/	/	/	/	/	/	/	/
/	/	/	/	/	/	/	/	/	/	/	/
/	/	/	/	/	/	/	/	/	/	/	/
/	/	/	/	/	/	/	/	/	/	/	/

300 DIA BORE
 CAST IRON
 WALL / PIPE MOUNTED
 FLAP VALVE

DRAWN A.J.S.	INDUSTRIAL PENSTOCKS LTD.	
DATE 14-03-06	PENSTOCKS AND VALVES FOR THE WATER INDUSTRY UNITS 1 AND 2, WASHINGTON INDUSTRIAL ESTATE, WASHINGTON STREET, NETHERTON, DUDLEY, DY2 9PH TEL : 01384 458 411 FAX : 01384 246 950	
SCALE NTS	PART No.	
MATERIAL AS QUOTED	DRAWING NUMBER 300-GA	REV. 0
	FIRST USED ON ORDER REF.	V012778

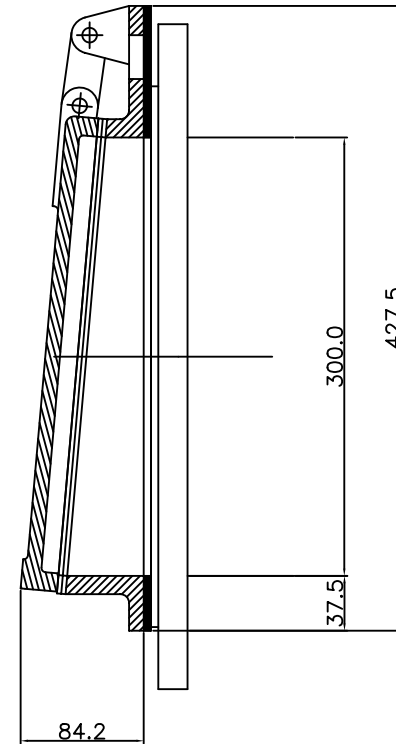
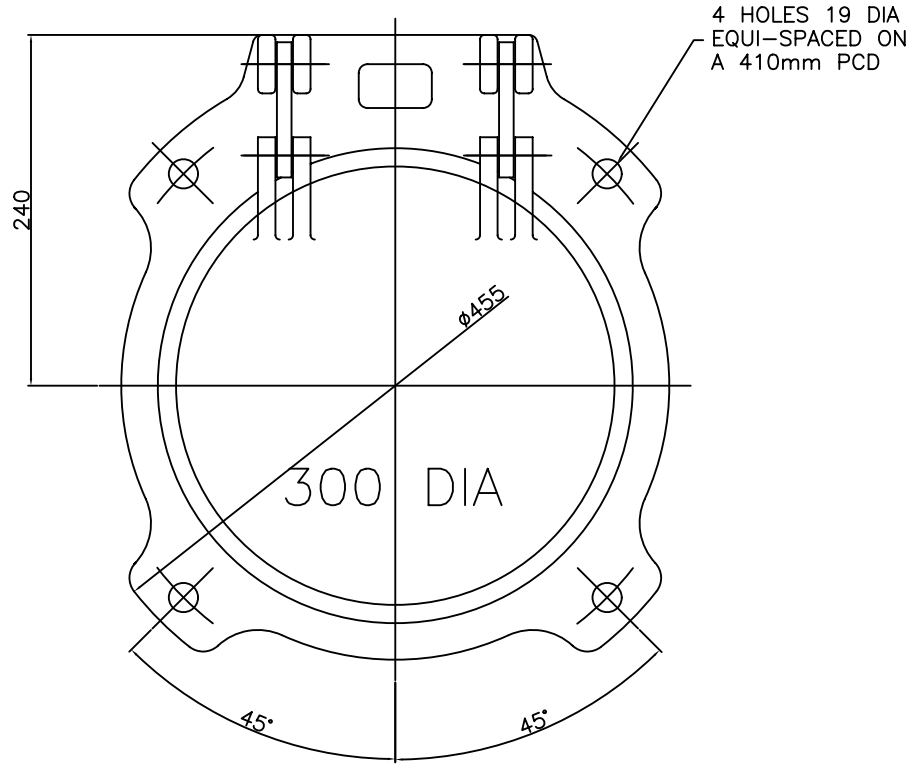
COPYRIGHT
 This drawing is protected by copyright
 and must not be reproduced in any form,
 including illustrations of the product,
 shown therein, without the prior written
 consent of the copyright owner.
INDUSTRIAL PENSTOCKS LIMITED

MATERIAL SPECIFICATION

DO NOT SCALE - IF IN DOUBT, ASK.

FRAME + DOOR DUCTILE IRON
 SEALING FACES PHOSPHOR BRONZE
 HINGE PINS STAINLESS STEEL
 HINGE LINKS PHOSPHOR BRONZE
 COATING BLACK EPOXY 150 MICRONS NOMINAL

CUSTOMER : -
 SCHEME : -
 ITEM REFERENCE : -
 LOCATION : TBA
 QUANTITY : 1



REVISION				REVISION				REVISION			
No	WAS	DATE	SIGN	No	WAS	DATE	SIGN	No	WAS	DATE	SIGN
/	/	/	/	/	/	/	/	/	/	/	/
/	/	/	/	/	/	/	/	/	/	/	/
/	/	/	/	/	/	/	/	/	/	/	/

300 DIA BORE
 CAST IRON
 WALL / PIPE MOUNTED
 FLAP VALVE

DRAWN
A.I.S.
DATE
14-03-06
SCALE
N/S
MATERIAL
AS QUOTED

INDUSTRIAL PENSTOCKS LTD.
Penstocks and Valves for the Water Industry
 UNITS 1 AND 2, BRIMHOPPE INDUSTRIAL ESTATE, BRIMHOPPE STREET, WERTINGTON, DUNDEE, DYS 8PH
 TEL : 01384 408 411 FAX : 01384 248 800

PART No.	
DRAWING NUMBER	300-GA
FIRST USED ON ORDER REF.	REV. 0 V012778