

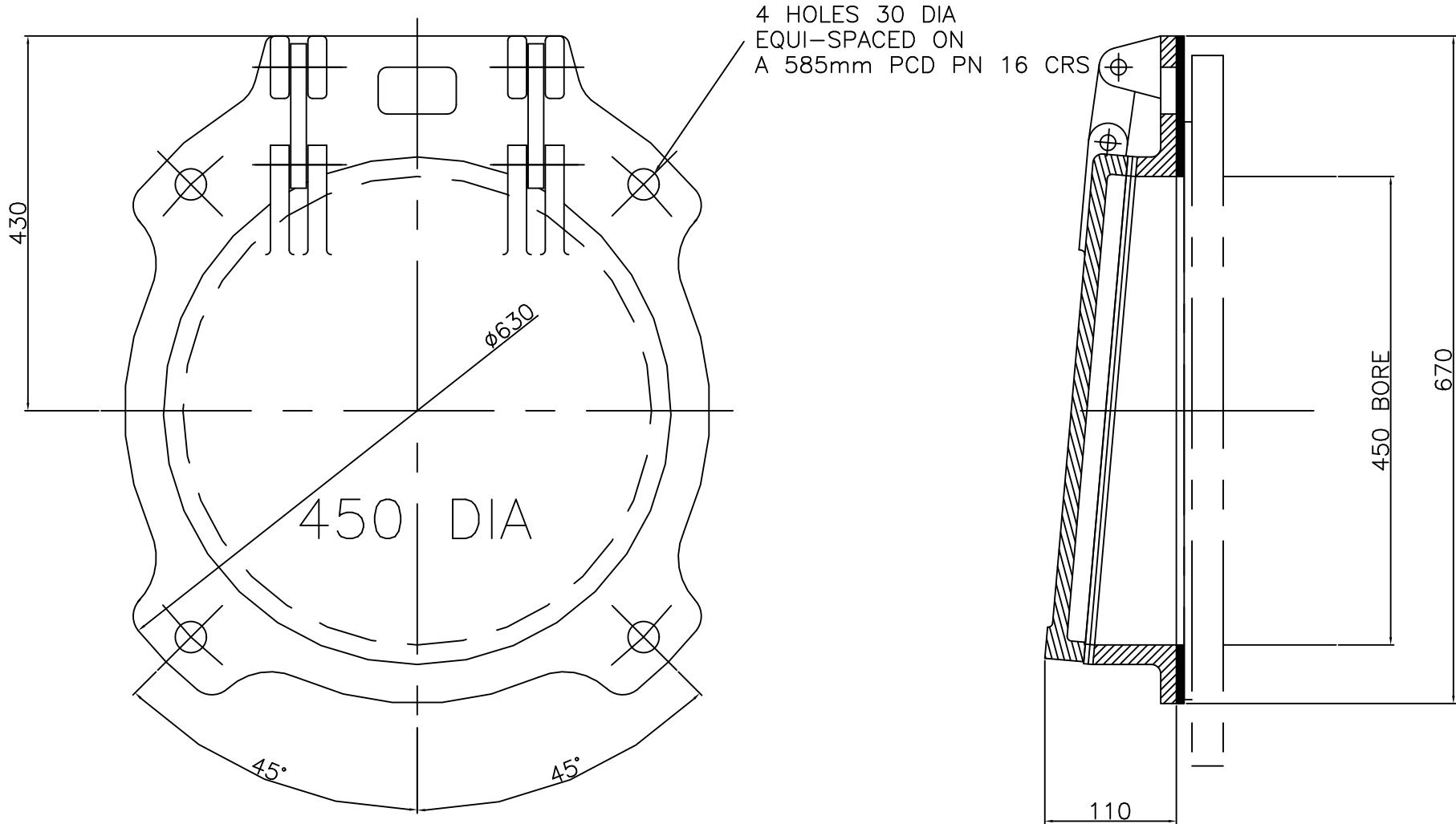
**COPYRIGHT**  
 This drawing is protected by copyright and must not be reproduced in any form, including manufacture of the product shown therein, without the prior written consent of the copyright owner.  
**INDUSTRIAL PENSTOCKS LIMITED**

**MATERIAL SPECIFICATION**

DO NOT SCALE - IF IN DOUBT, ASK.

CUSTOMER : -  
 SCHEME : -  
 ITEM REFERENCE : -  
 LOCATION : TBA  
 QUANTITY : 1

FRAME + DOOR DUCTILE IRON  
 SEALING FACES PHOSPHOR BRONZE  
 HINGE PINS STAINLESS STEEL  
 HINGE LINKS PHOSPHOR BRONZE  
 COATING BLACK EPOXY 150 MICRONS NOMINAL



REVISION				REVISION				REVISION			
No	WAS	DATE	SIGN	No	WAS	DATE	SIGN	No	WAS	DATE	SIGN
/	/	/	/	/	/	/	/	/	/	/	/
/	/	/	/	/	/	/	/	/	/	/	/
/	/	/	/	/	/	/	/	/	/	/	/
/	/	/	/	/	/	/	/	/	/	/	/

450 DIA BORE  
 CAST IRON  
 WALL / PIPE MOUNTED  
 FLAP VALVE

DRAWN	<b>INDUSTRIAL PENSTOCKS LTD.</b>	
A.J.S.	PENSTOCKS AND VALVES FOR THE WATER INDUSTRY	
DATE	UNITS 1 AND 2, WASHINGTON INDUSTRIAL ESTATE, WASHINGTON STREET, NETHERTON, DUDLEY. DY2 9PH	
14-03-06	TEL : 01384 488 411 FAX : 01384 246 950	
SCALE	PART No.	
NTS	DRAWING NUMBER	REV. 0
MATERIAL	450-GA	
AS QUOTED	FIRST USED ON ORDER REF.	