

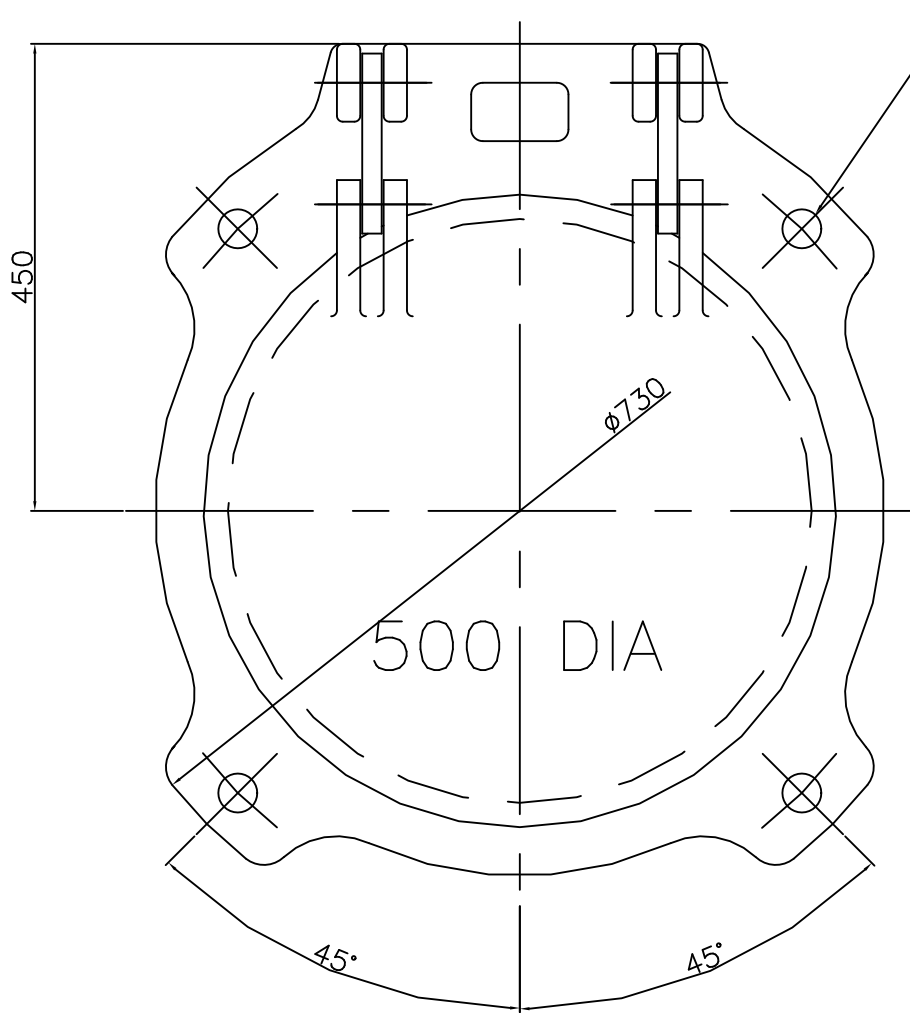
COPYRIGHT
 This drawing is protected by copyright and must not be reproduced in any form, including manufacture of the product shown therein, without the prior written consent of the copyright owner.
INDUSTRIAL PENSTOCKS LIMITED

MATERIAL SPECIFICATION

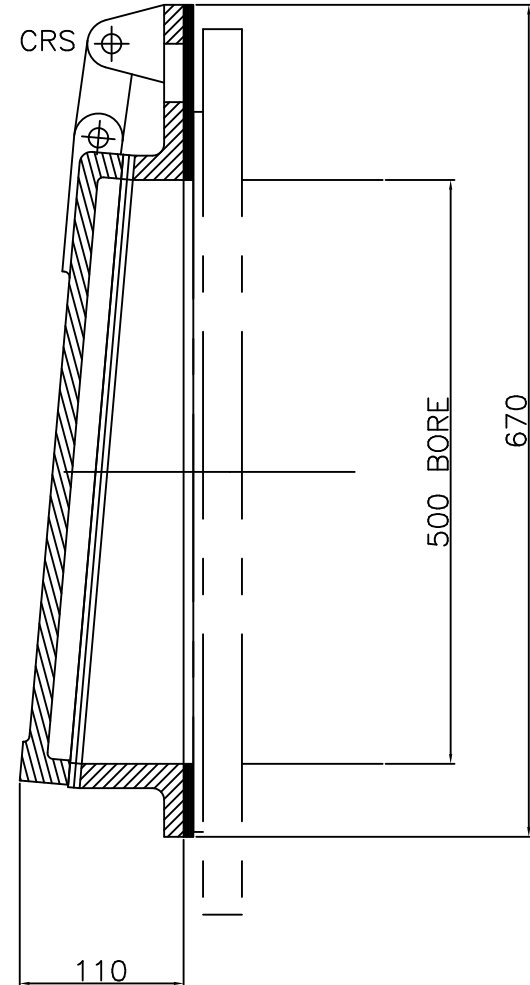
DO NOT SCALE - IF IN DOUBT, ASK.

CUSTOMER : -
 SCHEME : -
 ITEM REFERENCE : -
 LOCATION : TBA
 QUANTITY : 1

FRAME + DOOR DUCTILE IRON
 SEALING FACES PHOSPHOR BRONZE
 HINGE PINS STAINLESS STEEL
 HINGE LINKS PHOSPHOR BRONZE
 COATING BLACK EPOXY 150 MICRONS NOMINAL



4 HOLES 30 DIA
 EQUI-SPACED ON
 A 650mm PCD PN 16 CRS



REVISION				REVISION				REVISION			
No	WAS	DATE	SIGN	No	WAS	DATE	SIGN	No	WAS	DATE	SIGN
/	/	/	/	/	/	/	/	/	/	/	/
/	/	/	/	/	/	/	/	/	/	/	/
/	/	/	/	/	/	/	/	/	/	/	/
/	/	/	/	/	/	/	/	/	/	/	/

500 DIA BORE
 CAST IRON
 WALL / PIPE MOUNTED
 FLAP VALVE

DRAWN	INDUSTRIAL PENSTOCKS LTD.	
A.J.S.	PENSTOCKS AND VALVES FOR THE WATER INDUSTRY	
DATE	UNITS 1 AND 2, WASHINGTON INDUSTRIAL ESTATE, WASHINGTON STREET, NETHERTON, DUDLEY. DY2 9PH	
14-03-06	TEL : 01384 488 411 FAX : 01384 246 950	
SCALE	PART No.	
NTS	DRAWING NUMBER	REV. 0
MATERIAL	500-GA	
AS QUOTED	FIRST USED ON ORDER REF.	